

200,571

CAMPING TRAILER

Frederic L. Cox, Grifton, N.C.

Filed Oct. 1, 1963, Ser. No. 76,810

Term of patent 14 years

(Cl. D14—3)

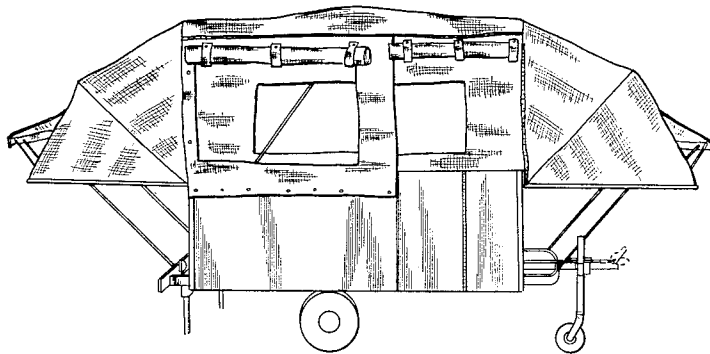


FIG. 1

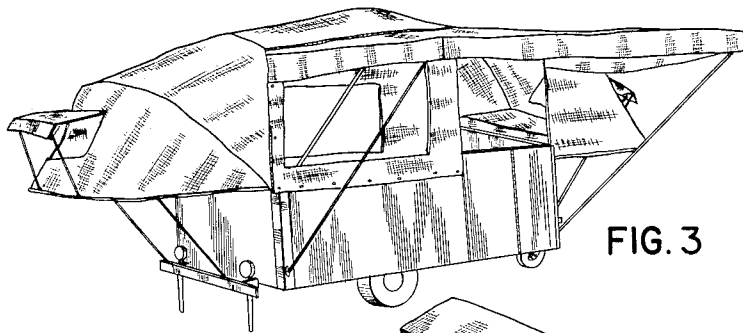


FIG. 3

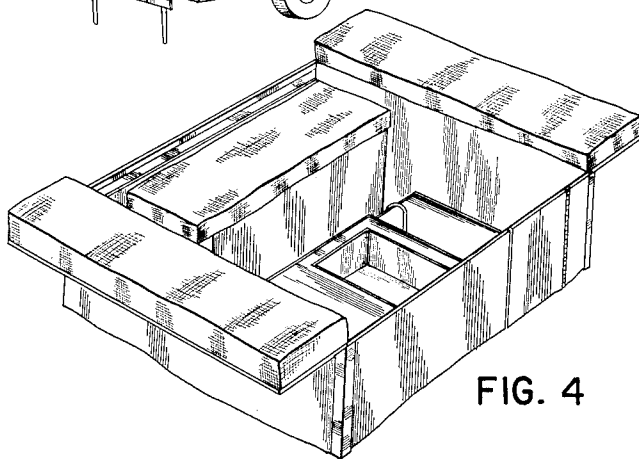


FIG. 4

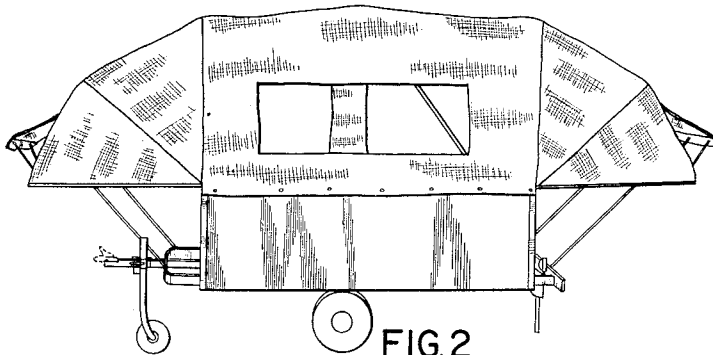


FIG. 2

FIG. 1 is a side view of a camping trailer, showing my new design;

FIG. 2 is a like view taken from the opposite side thereof;

FIG. 3 is a perspective view thereof with a canopy attached, the end opposite that shown in FIG. 3 being of substantially the same appearance as the end here shown; and

FIG. 4 is a fragmentary perspective view with the top removed for clarity of illustration, the interior portions not fully revealed in FIG. 4 being substantially plain.

The dominant features of my design reside in the portions shown in full lines.

I claim:

The ornamental design for a camping trailer, as shown and described.

References Cited by the Examiner

UNITED STATES PATENTS

D. 181,914	1/58	Spencer	-----	D14—3
D. 181,915	1/58	Spencer	-----	D14—3
2,853,338	9/58	Stanley.		
3,013,836	12/61	Groh	-----	296—23

OTHER REFERENCES

Mobile Home Dealer, Jan. 20, 1962, page 74, Apache camping trailer.

Mobile Home Dealer, Dec. 20, 1962, page 174, 13-foot "Skamper."

Mobile Home Dealer, Apr. 20, 1963, page 71, Bethany camper.

WALLACE R. BURKE, *Acting Primary Examiner.*

CONRAD A. BOUSQUET, *Examiner.*